



CLARK PACIFIC

1980 SOUTH RIVER ROAD
W SACRAMENTO, CA 95691
TEL: (916) 371-0305
FAX: (916) 372-0323

13592 SLOVER AVENUE
FONTANA, CA 92337
TEL: (909) 823-1433
FAX: (909) 823-1361

PROJECT

CONTRACTOR

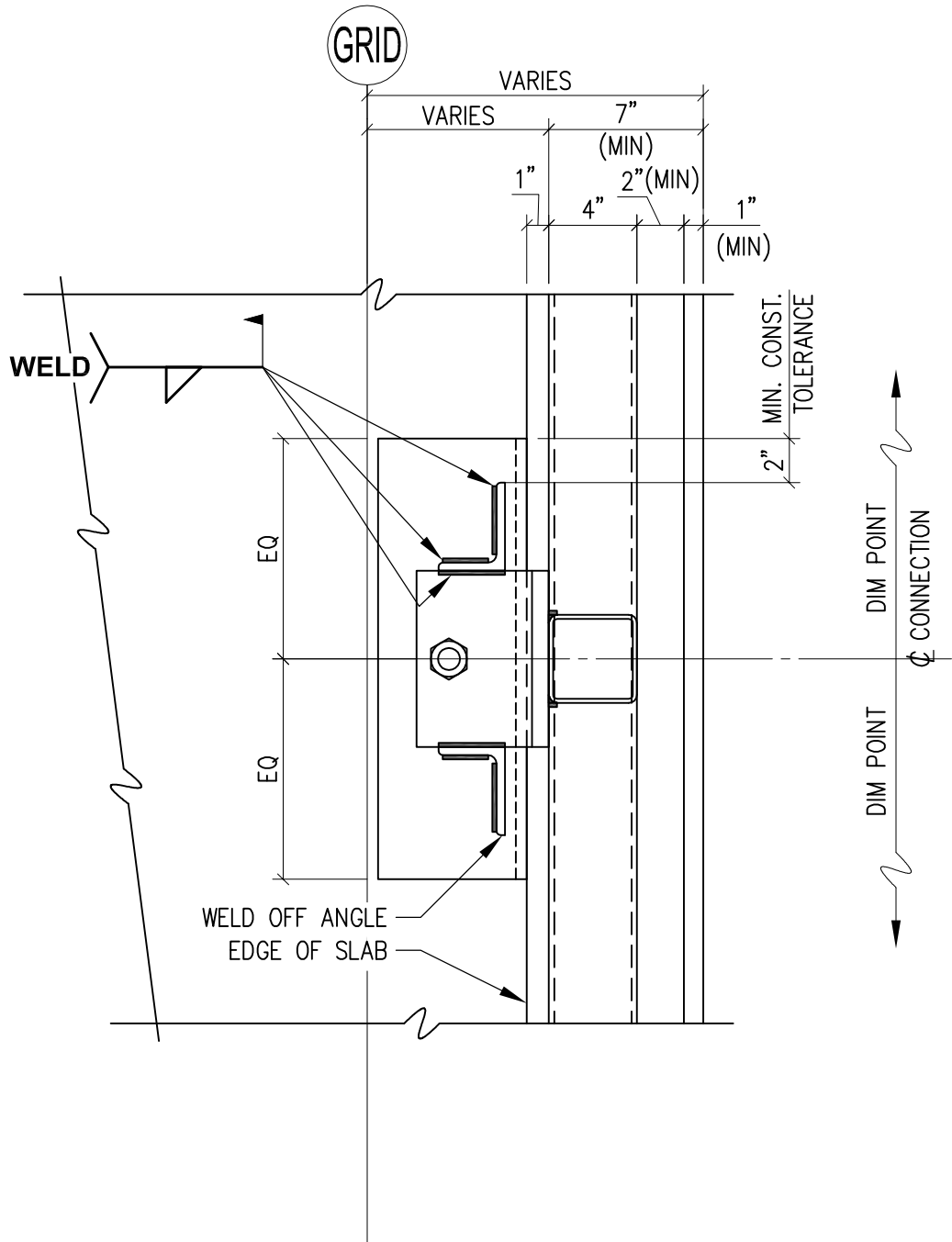
JOB

SHEET **PGFRC-SK2**

DATE **3/15/07**

TYPICAL GFRC BEARING DETAIL

BY TA CHECK DW



SK2

TYPICAL BEARING CONNECTION
SCALE: 1 1/2" = 1'-0"
(GFRC)

S:\By Employee\tony arroyo\WEBSITE.dwg, 3/19/2007 2:06:15 PM