



CLARK PACIFIC

1980 SOUTH RIVER ROAD
W SACRAMENTO, CA 95691
TEL: (916) 371-0305
FAX: (916) 372-0323

13592 SLOVER AVENUE
FONTANA, CA 92337
TEL: (909) 823-1433
FAX: (909) 823-1361

PROJECT

CONTRACTOR

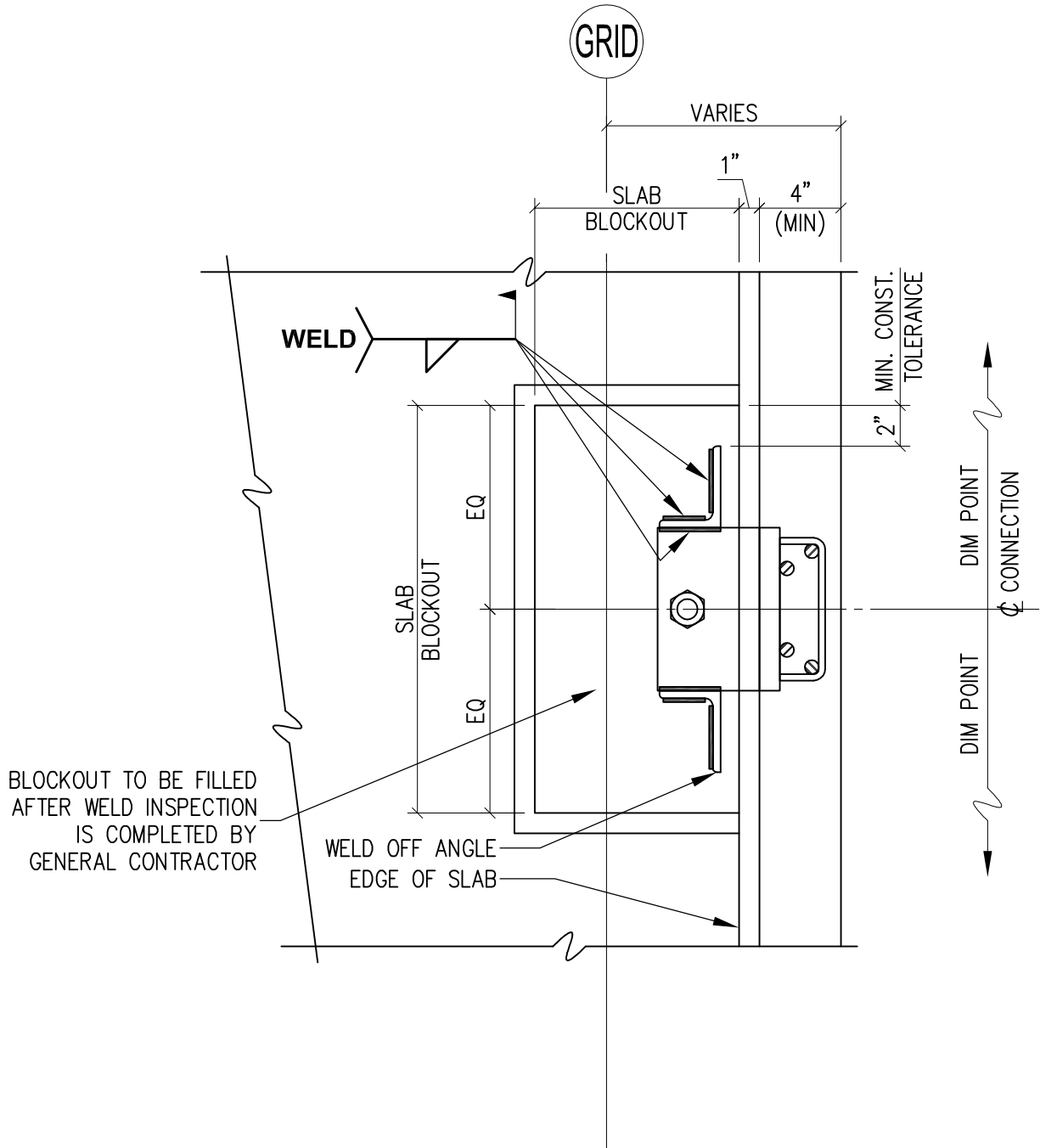
JOB

SHEET **PCS-SK2**

DATE **3/15/07**

BY TA CHECK DW

TYPICAL BEARING DETAIL



TYPICAL BEARING CONNECTION

SCALE: 1 1/2" = 1'-0"