



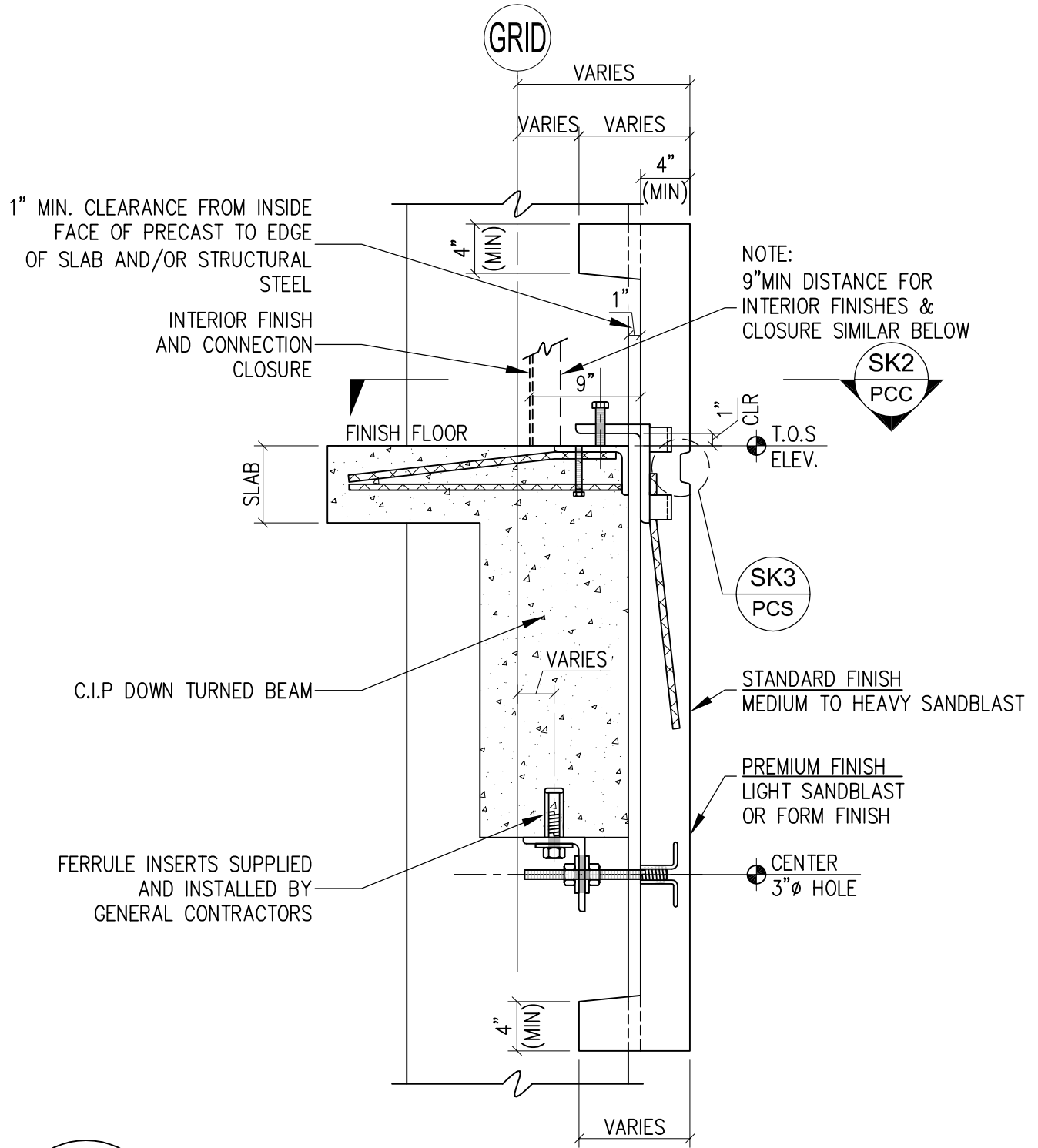
CLARK PACIFIC

1980 SOUTH RIVER ROAD
W SACRAMENTO, CA 95691
TEL: (916) 371-0305
FAX: (916) 372-0323

13592 SLOVER AVENUE
FONTANA, CA 92337
TEL: (909) 823-1433
FAX: (909) 823-1361

PROJECT	
CONTRACTOR	
TYPICAL PRE-CAST SECTION AT C.I.P STRUCTURE	

JOB	
SHEET	PCC-SK1
DATE	3/15/07
BY	TA
CHECK	DW



SK1

TYPICAL PRECAST PANEL CONNECTIONS (FLOOR SECTION-C.I.P STRUCTURE)

SCALE: 1" = 1'-0"

S:\By Employee\tony arroyo\WEBSITE.dwg, 3/16/2007 3:46:01 PM